

DOOR RETAINER

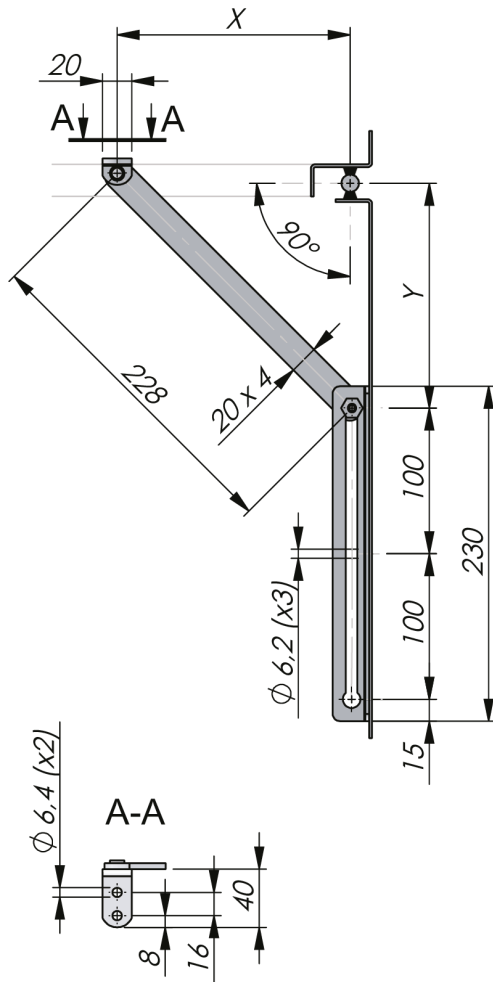


Heavy-duty door retainer that automatically locks the door in the wide open position. Universal left or right mounting. Screw-on mounting.



MATERIAL

Door retainer: Stainless steel 304, Steel, zinc plated or black coated



celator

P/N	Material	Surface treatment
542104	Steel	Zinc plated
542504	Steel	Black
543004	Stainless steel 304	-

Specifications

Description - opening angle X=mm Y=mm Min. door width

90°	140	180	403 mm
105°	120	166	389 mm
120°	110	150	373 mm
135°	100	146	369 mm